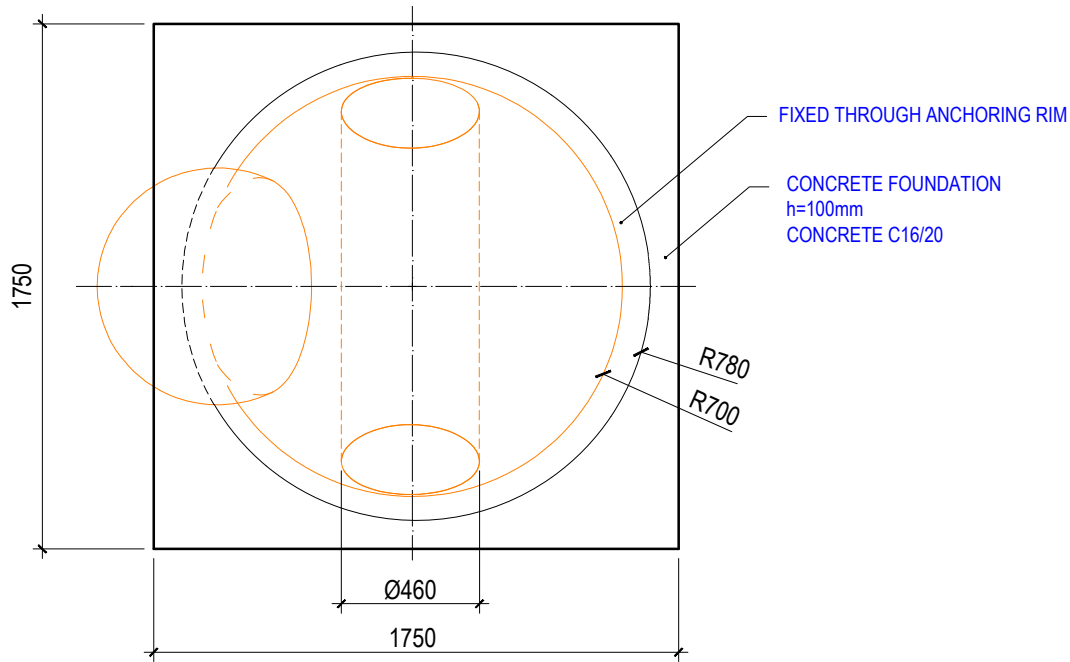
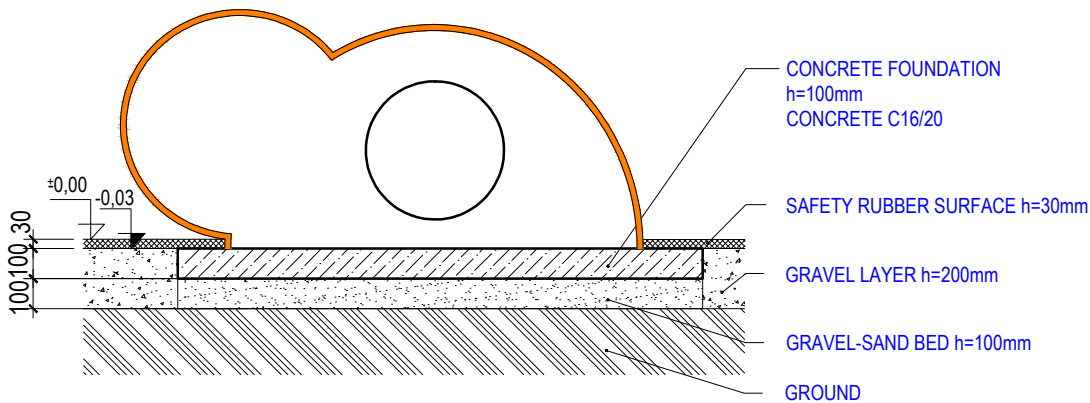


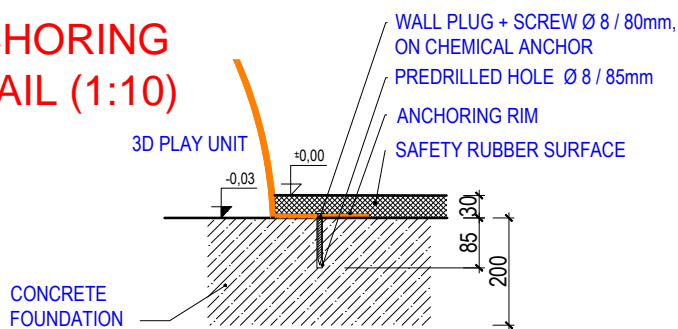
## GROUND PLAN (1:25)




## SECTION (1:25)



## ANCHORING DETAIL (1:10)



Author:		3D PROGRAM, s.r.o.	
MgA. Maxmilián Blišťák		Objízdná 1911 765 02 Otrokovice Tel: 602 500 045 Email: info@3dprogram.eu	
<b>TECHNICAL DRAWING</b>		Certified according to	EN71 , EN1176
		Date of issue	22.2.2021
C01 - LADYBIRD C05 - DUCK C13 - SNAIL		M 1:25, 1:10	format 1xA4
Foundation and anchoring - ground plan and section		C_EN.dwg	revision 0