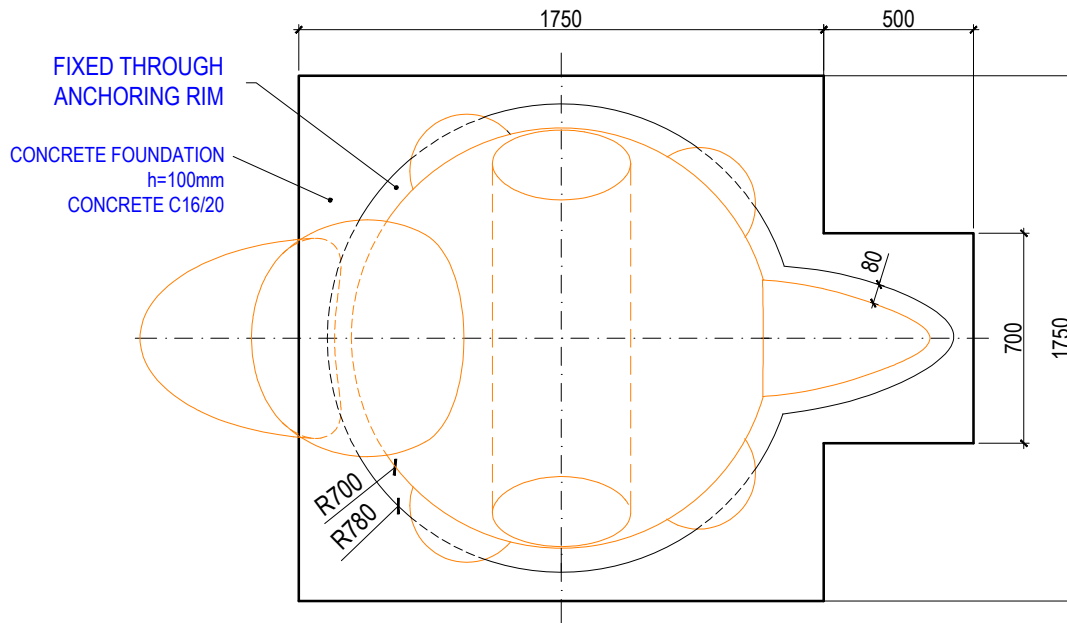
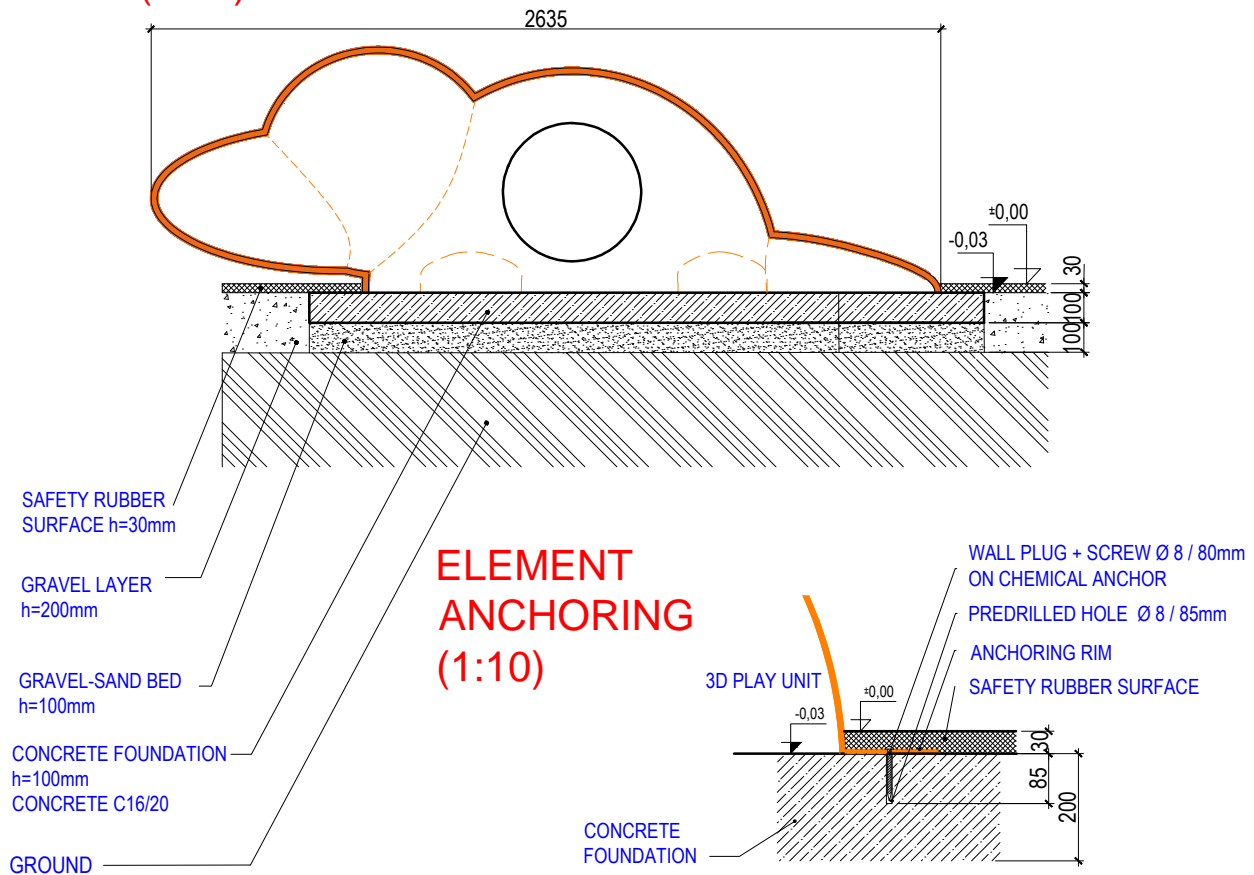



GROUND PLAN (1:25)



SECTION (1:25)



Author:		3D PROGRAM, s.r.o.	
MgA. Maxmilián Blišťák		Objízdná 1911 765 02 Otrokovice	
		Tel: 602 500 045 Email: info@3dprogram.eu	
TECHNICAL DRAWING		Certified according to	EN71 , EN1176
		Date of issue	22.2.2021
C28, C8tp, C28ts - CROCODILE		M 1:25, 1:10	format 1xA4
Foundation and anchoring - ground plan and section		C28_EN.dwg	revision 0