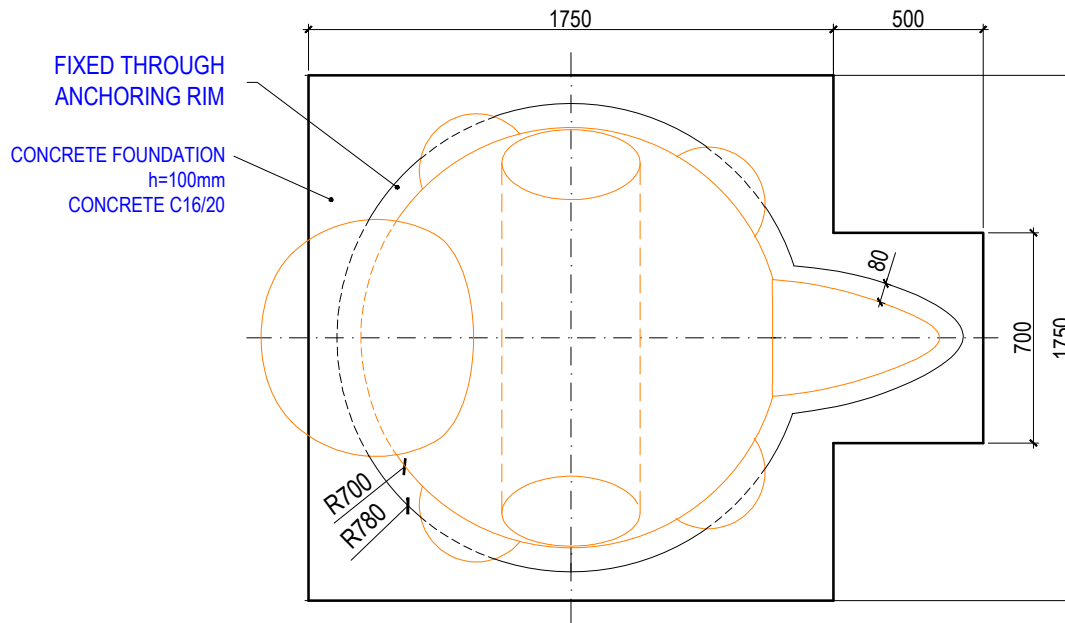
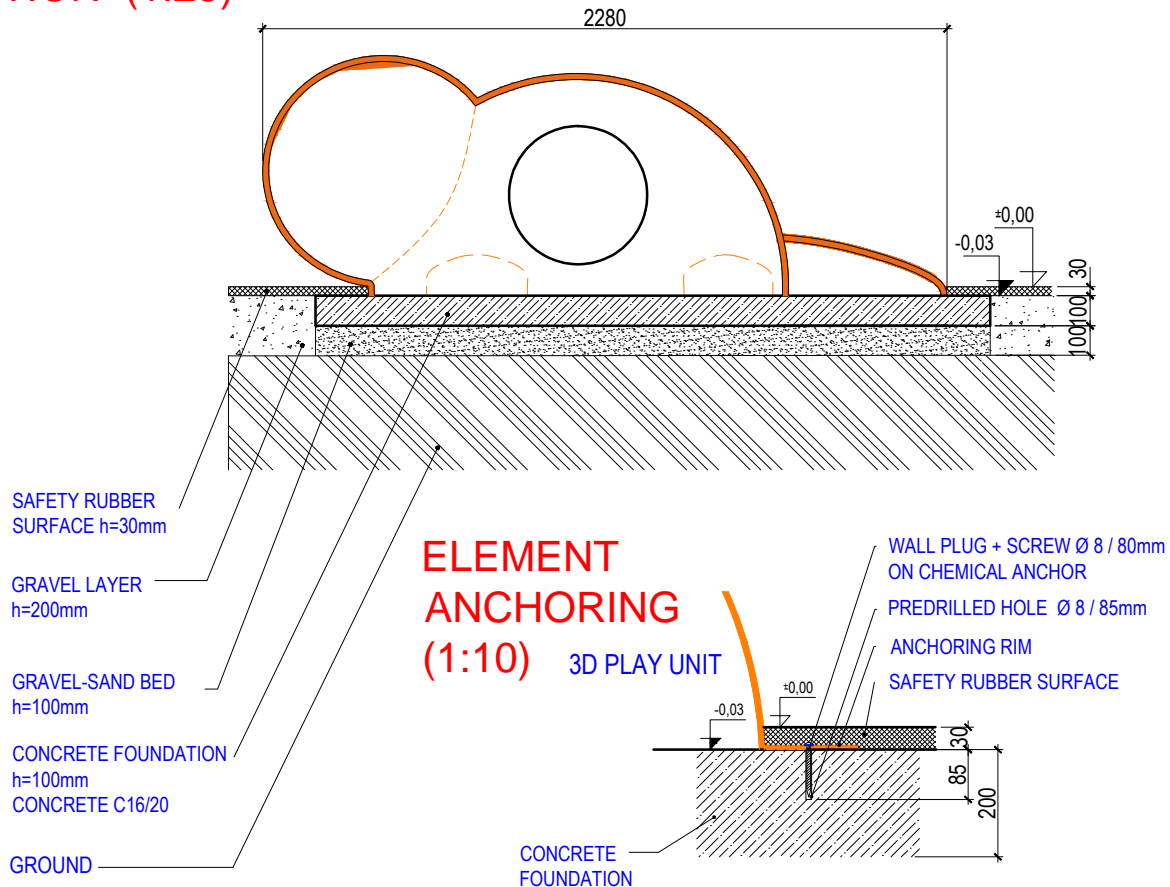



## GROUND PLAN (1:25)



## SECTION (1:25)



Author:		3D PROGRAM, s.r.o.	 <b>3D PROGRAM</b>
MgA. Maxmilián Blíšák		Objíždná 1911 765 02 Otrokovice	
		Tel: 602 500 045 Email: info@3dprogram.eu	
<b>TECHNICAL DRAWING</b>		Certified according to	EN71 , EN1176
		Date of issue	22.2.2021
C30_STEGOSAURUS		M 1:25, 1:10	format 1xA4
Foundation and anchoring - ground plan and section		C30_EN.dwg	revision 0