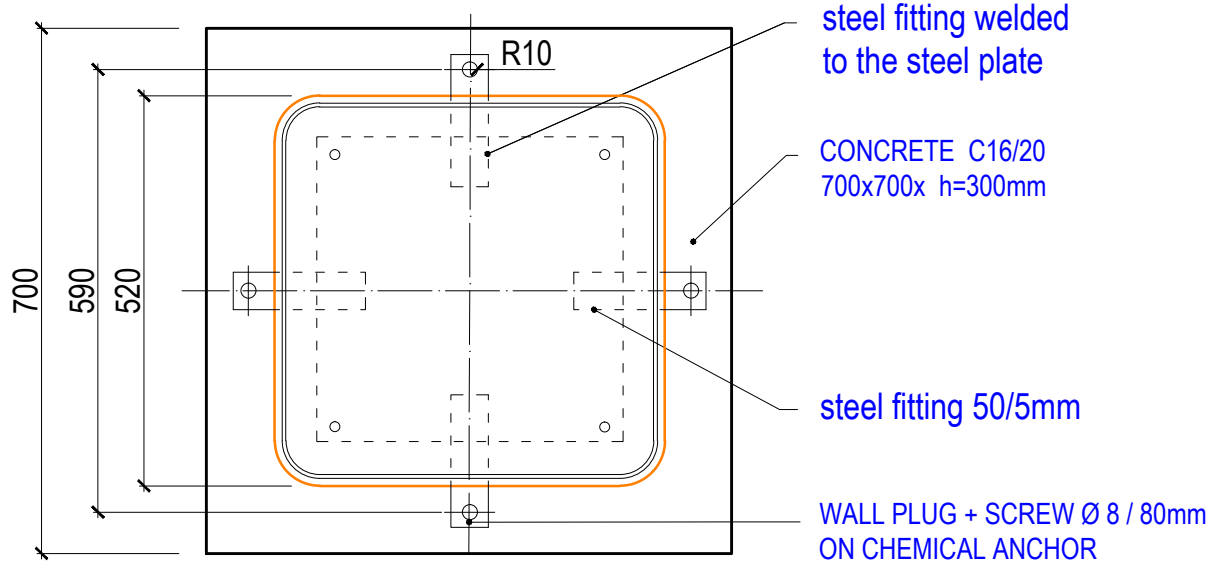
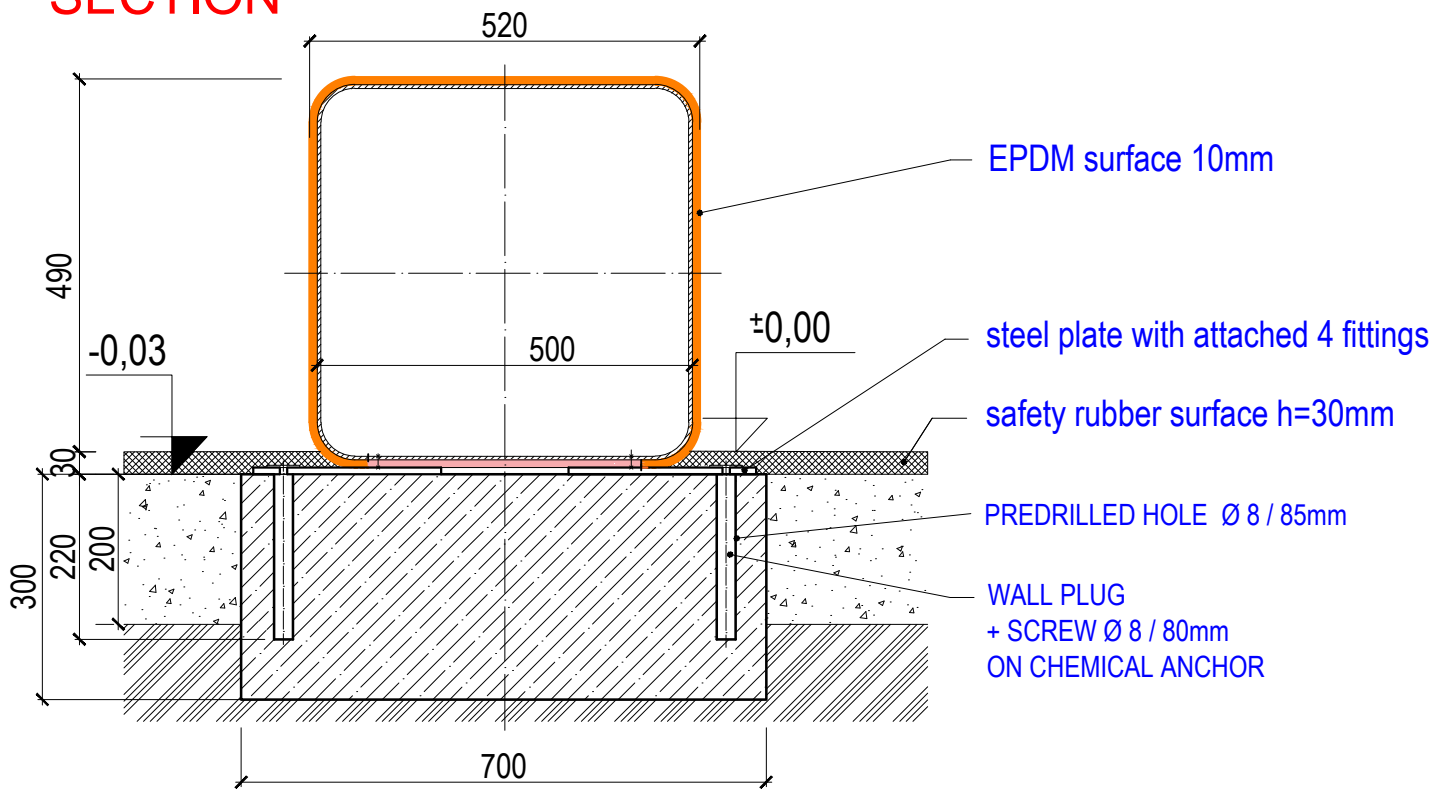



GROUND PLAN



SECTION



Author:		3D PROGRAM, s.r.o.	
MgA. Maxmilián Blšták		Objízdná 1911 765 02 Otrokovice	
		Tel: 602 500 045 Email: info@3dprogram.eu	
TECHNICAL DRAWING		Certified according to	EN71 , EN1176
		Date of issue	22.2.2021
B05 - DIDACTIC CUBE		M 1:10	format 1xA4
Foundation and anchoring - ground plan and section		B05_EN.dwg	revision 0