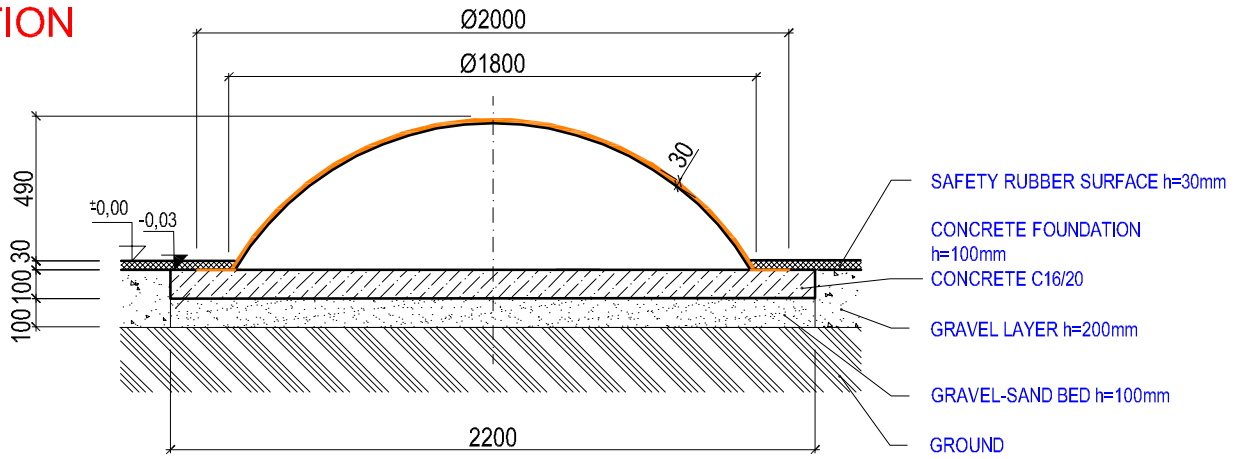
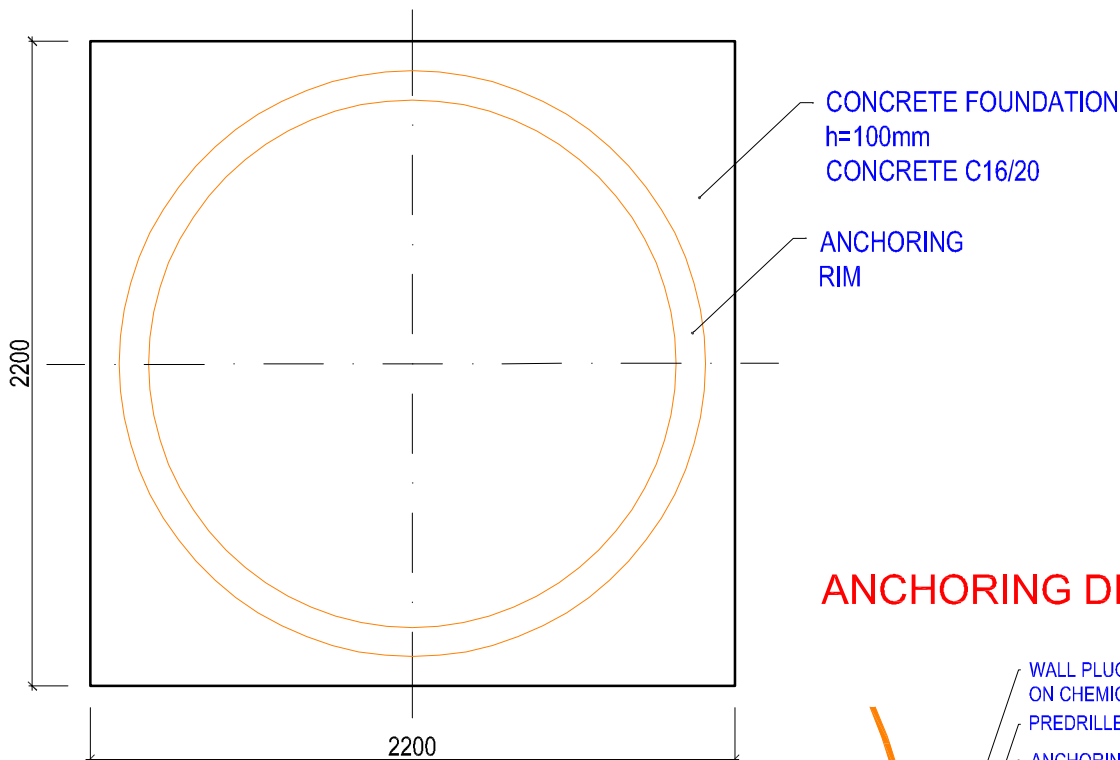


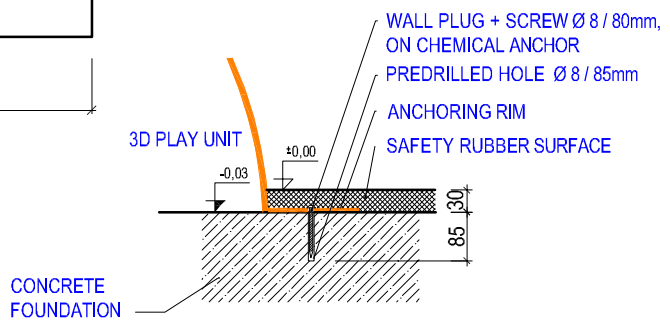
**SECTION
(1:25)**




FOUNDATION GROUND PLAN (1:25)



ANCHORING DETAIL (1:10)



Author:		3D PROGRAM, s.r.o.	
MgA. Maxmilián Blšták		Objízdná 1911 765 02 Otrokovice Tel: 602 500 045 Email: info@3dprogram.eu	
TECHNICAL DRAWING		Certified according to	EN71 , EN1176
		Date of issue	22.2.2021
E06 - BUMP		M 1:25, 1:10	format 1xA4
Foundation and anchoring - ground plan and section		E06_EN.dwg	revision 0